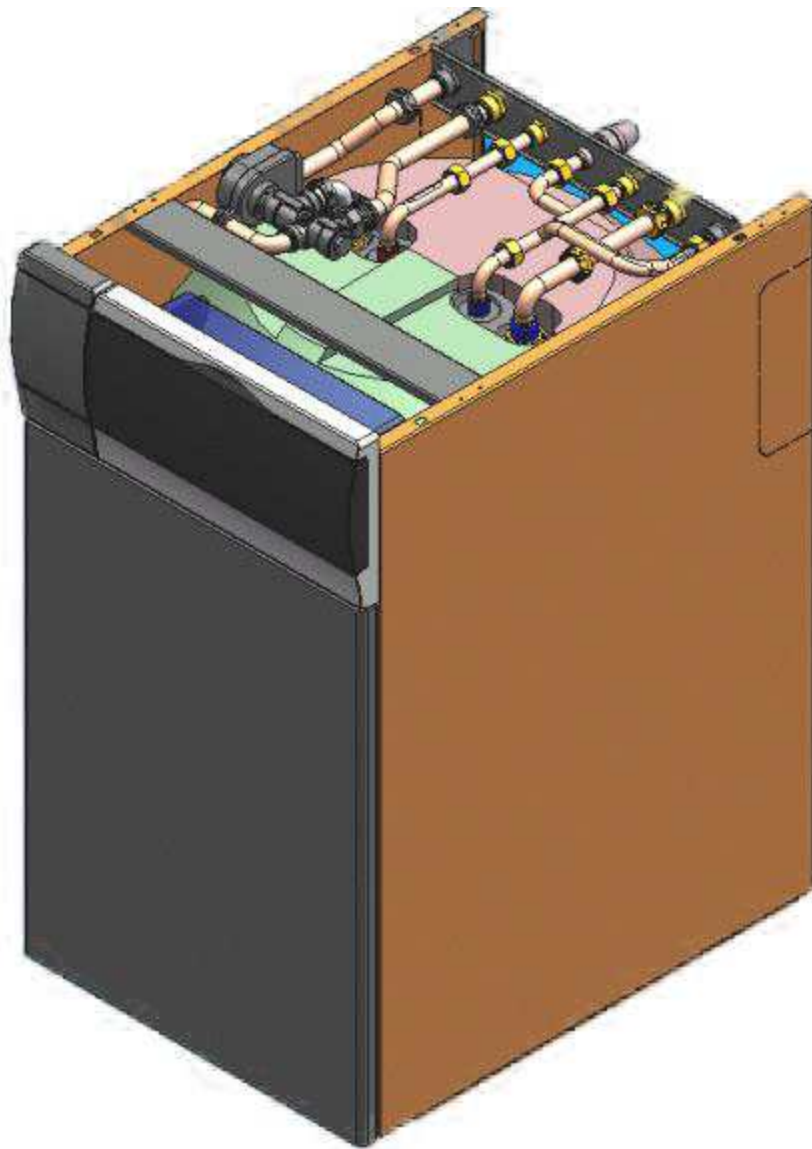


BAXI



UB

SPARE PARTS CATALOGUE

- October 2015 -

HOW TO READ THE SPARE PARTS CATALOGUE

In the spare part catalogue, after the exploded diagrams, there are the components lists of the boilers; this is the meaning of

Pos. Identification number of the component in the exploded diagram of the boiler.

Description Short description of the component.

Code BAXI S.p.A. code of the component.

Tab. XX XX is the exploded diagram number of the boiler taken into consideration.

Until 31th December 2011

From serial number Date (year and week) identifying the beginning of production of a component (taken from the serial n e.g. B005: year 2000 (B identifies the decade 2000-2009; 0 identifies the year) – 5th week.
If the box is empty, the component is in use from the beginning of production of the boiler.

To serial number Date (year and week) identifying the end of production of a component (taken from the serial number e.g. B012: year 2000 (B identifies the decade 2000-2009; 0 identifies the year) – 12th week.
If the box is empty, the component is still in use.

Interchangeable It identifies the interchangeability between the new component and the old one.
YES: components are interchangeable.
NO: components are not interchangeable.

From 1st January 2012

From serial number Date (year and week) identifying the beginning of production of a component (taken from the serial n e.g. 1201: year 2012 (1 identifies the decade 2010-2019; 2 identifies the year) – 01th week.
If the box is empty, the component is in use from the beginning of production of the boiler.

To serial number Date (year and week) identifying the end of production of a component (taken from the serial number e.g. 1220: year 2012 (1 identifies the decade 2010-2019; 2 identifies the year) – 20th week.
If the box is empty, the component is still in use.

Interchangeable It identifies the interchangeability between the new component and the old one.
YES: components are interchangeable.
NO: components are not interchangeable.

TABELLA COLLEGAMENTO CODICE CALDAIA - ESPLOSO TABLEAU CONNECTION CODEX CHAUDIERE - VUE ECLATEE BOILERS CONNECTION BOARD - EXPLODED VIEW

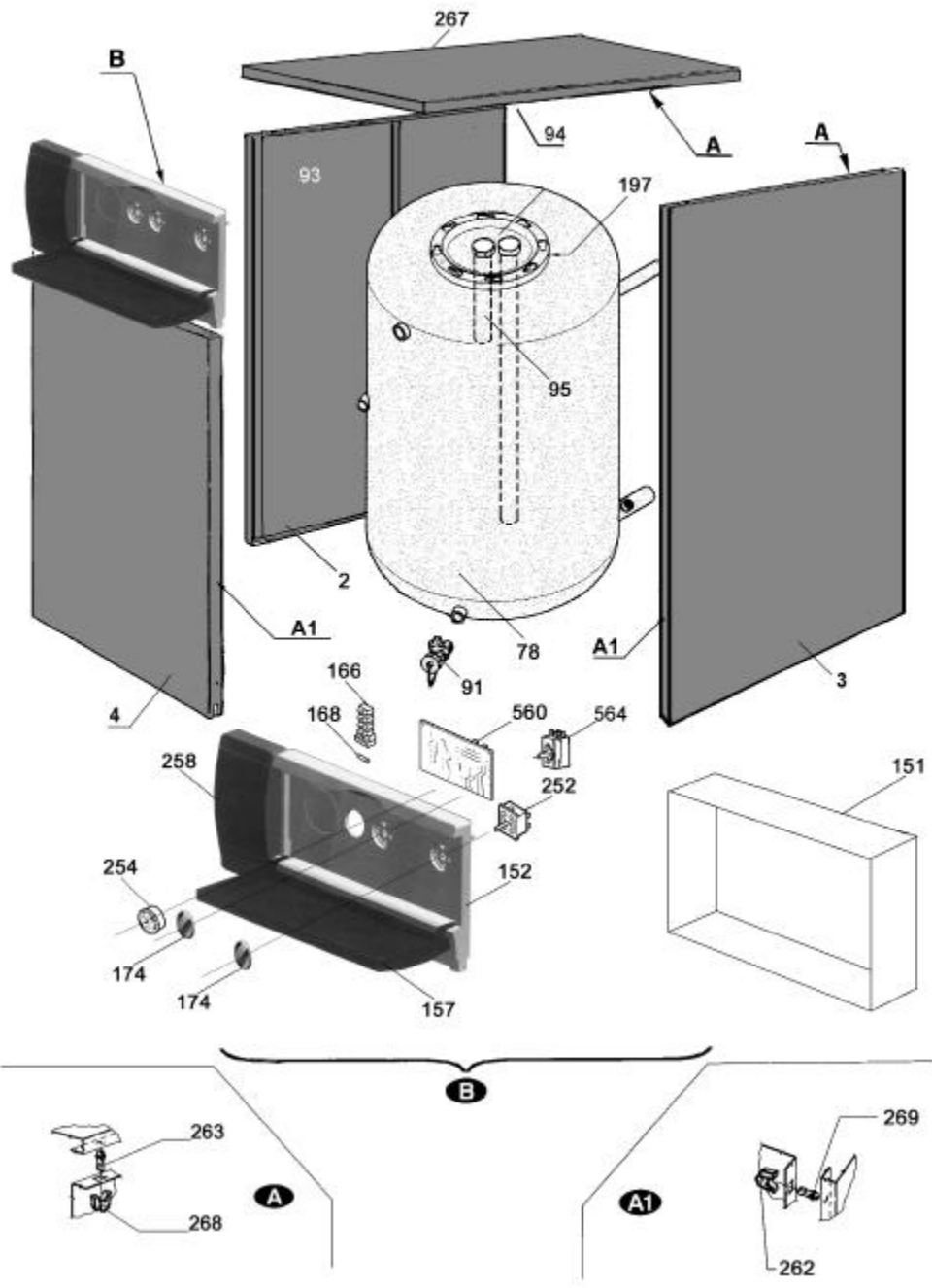
BOILER CODE	BOILER DESCRIPTION	EXPLODED REF.
CODICE CALDAIA	DESCRIZIONE CALDAIA	RIF. ESPLOSO
CODIGO CALDERA	DESCRIPCION CALDERA	REF. EXPLOSIONADO
CODE CHAUDIÈRE	DESCRIPTION CHAUDIÈRE	RÉF. EXPLOSÉE
KSW714087911/2/3/4	SLIM UB 120 INOX	Tab 258
KSW714087910	SLIM UB 120 INOX	Tab 258
KSW714087811/2/3/4	SLIM UB 80 INOX	Tab 258
KSW714087810	SLIM UB 80 INOX	Tab 258
KSW714070910	U.B.SLIM UB 80 GAMMA 2000	Tab 257
KSW714071010	U.B.SLIM UB120 GAMMA 2000	Tab 257

UB

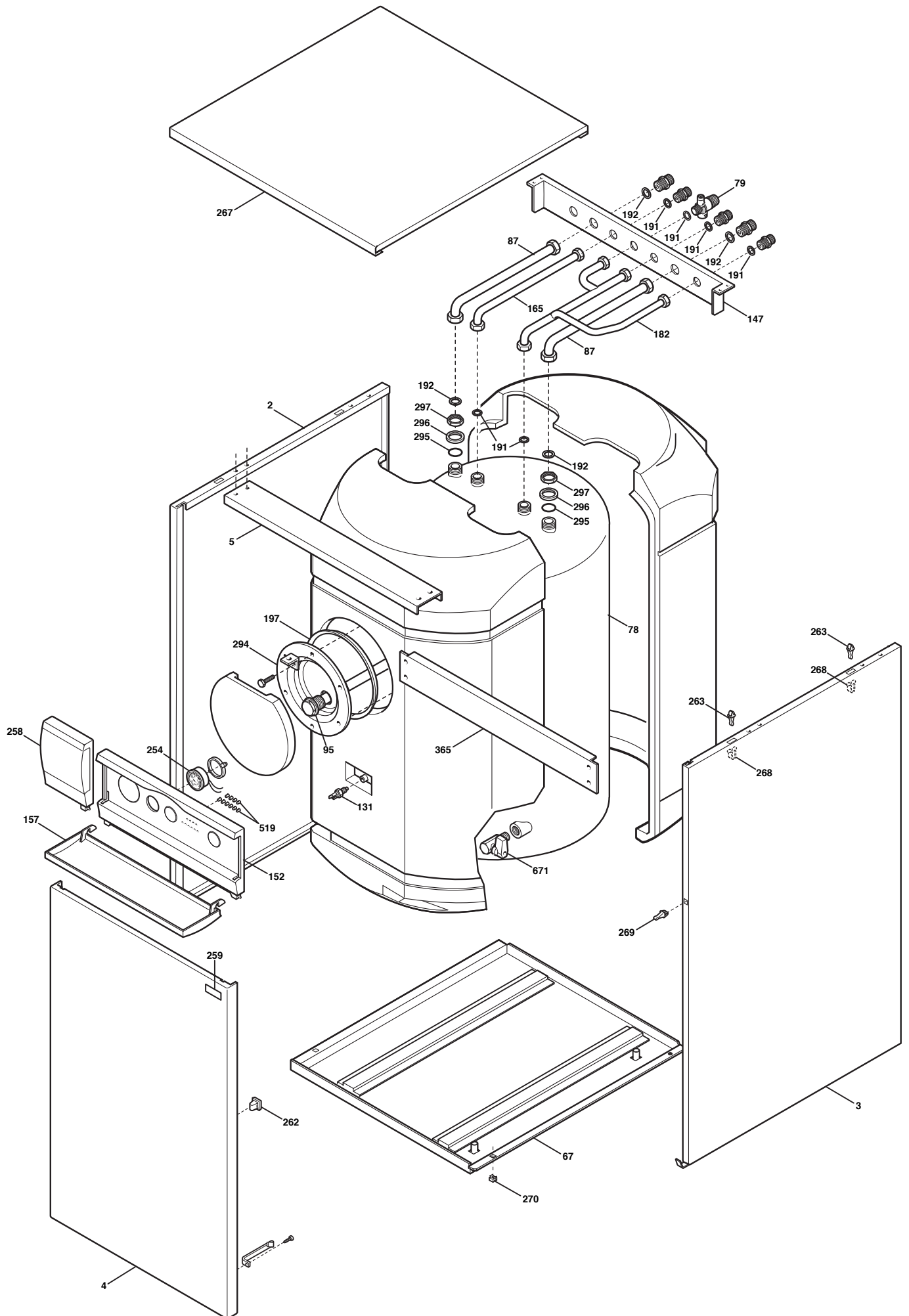
27/10/2015

Pos	Code	Description code	SLIM UB 80				SLIM UB 120 INOX				To serial number	From serial number	Interchangeable:	
			KS W714070910	KS W714071010	KS W714071010	KS W714071010	KS W714087910	KS W714087910	KS W714087910	KS W714087910				
2	616660	LEFT PANEL RAL 9007			•	•	•	•						
2	3618950	LEFT PANEL SLIM UB80	•											
2	3618990	LEFT PANEL SLIM UB 120		•										
3	616650	RIGHT PANEL RAL 9007			•	•	•	•						
3	3618940	RIGHT PANEL SLIM UB80	•											
3	3618980	RIGHT PANEL SLIM UB 120		•										
4	616680	DOOR UB450 INOX RAL 9007			•	•								
4	616700	DOOR UB600 INOX RAL 9007						•	•					
4	3618960	PANEL SLIM UB80	•											
4	3618970	DOOR SLIM UB 120		•										
5	3105790	REAR TRAVERSE UB 120						•	•					
5	5110290	BRACKET-UPPER SUPPORT			•	•								
67	3619910	BOILER BASIN ASSEMBLY			•	•								
67	3619920	LOW PLATE ASSEMBLY UB 120 INOX						•	•					
78	616330	BOILER GROUP INS. 80 INOX			•									
78	616400	ISOLATED TANK ASSEMB. 120 INOX						•						
78	626960	ISOLATED BOILER INOX 80 L					•				1236			
78	627130	ISOLATED BOILER INOX 120 L							•		C127			
78	3610760	STORAGE TANK ASSEMBLY	•								C133			
78	3610780	STORAGE TANK ASSEMBLY		•							C133			
78	711109100	ISOLATED BOILER INOX 80 L					•					1237	YES	
78	711109300	ISOLATED TANK ASS.120L INOX/TP							•			C128	YES	
78	711109400	ISOLATED TANK ASS. 80L /TAP	•									C134	YES	
78	711109500	ISOLATED TANK ASS. 120L /TAP		•								C134	YES	
79	9950620	HYDRAULIC SAFETY VALVE 8 BAR			•	•	•	•						
87	3619990	PIPE COIL ASSEMBLY			•	•	•	•						
93	3202210	SIDE INSULATION	•											
93	3202220	SIDE INSULATION		•										
94	3202190	TOP INSULATION	•								1229			
94	3202200	TOP INSULATION		•							1229			
95	3609530	ANODE 20X300	•											
95	3610880	ANODE D. 22X400 G3/4		•										
95	3619980	CAP/ANODE ASSEMBLY L=365			•			•			B907			
95	3627180	CAP/ANODE ASSEMBLY FOR MODULO				•			•					
95	3627180	CAP/ANODE ASSEMBLY FOR MODULO			•			•				B908	YES	
131	8434820	TEMPERATURE SENSOR			•	•	•	•						
147	3109680	TRAVERSE UB 80 INOX			•	•								
147	3109690	TRAVERSE UB 120 INOX						•	•					
151	3401610	CONTROL PANEL COVER 2000	•	•										
152	3618900	PRINTED CNTR.PANEL SLIM UB 80	•	•										
152	3620810	PRINT CONTR PAN UB80/120 INO			•	•	•	•						
157	3401620	CONTROL PANEL DOOR	•	•	•	•	•	•	•					

Pos	Code	Description code	SLIM UB 80				SLIM UB 120				To serial number	From serial number	Interchangeable:	
			KSUW14070910	KSUW14071010	KSUW14087810	KSUW14087910	KSUW14087811/2/3/4	KSUW14087910	KSUW14087911/2/3/4	KSUW14087910				
165	3620790	DHW PIPE ASSEMBLY			•	•	•	•						
166	8421590	TERMINAL BLOCK	•	•										
168	9950580	FUSE	•	•										
174	5408150	CONTROL KNOB	•	•										
182	3620800	RICIRCLE PIPE ASSEMBLY			•	•	•	•						
191	5408970	WASHER - SEALING G1/2			•	•	•	•						
192	5404650	SEALING WASHER G 3/4			•	•	•	•						
197	3401040	FLANGE GASKET	•	•										
197	3401860	GASKET FLANGE UB 80/120 INOX			•		•							
197	5412820	ORING 85,09X5,34 EPDM					•	•						
252	8434550	SELECTOR SWITCH (4 POSITION)	•	•										
254	8922410	THERMOMETER T&G 0-120°	•	•	•	•	•	•			1218			
254	8922500	THERMOMETER 0°-120°	•	•	•	•	•	•				1219	YES	
258	3401630	CONTROL PANEL EXTENSION	•		•	•								
258	3401640	CONTROL PANEL EXTENSION		•			•	•						
259	5657100	BAXI BRAND			•	•	•	•						
262	3400400	CLIP - DOOR PANEL - FEMALE	•	•	•	•	•	•						
263	3400390	CLIP - TOP PANEL - MALE	•	•	•	•	•	•						
267	3109250	TOP PANEL	•											
267	3109260	TOP PANEL SLIM UB 120		•										
267	3110190	COVER UB 450 INOX RAL 9007			•	•								
267	3110200	COVER UB600 INOX RAL 9007					•	•						
268	3400380	CLIP - SIDE PANELS - FEMALE	•	•	•	•	•	•						
269	3400410	CLIP - SIDE PANELS - MALE	•	•	•	•	•	•			B902			
269	3402700	CLIP - SIDE PANELS - MALE	•	•	•	•	•	•				B903	YES	
270	8240560	NUT M4			•	•	•	•						
294	3619970	FLANGE/ANODE ASSEMBLY			•		•							
295	5406870	O-RING			•	•	•	•						
296	5209650	HOUSING O RING			•	•	•	•						
297	5209970	LOCKNUT - G3/4			•	•	•	•						
365	3109720	TRAVERSE UB80 INOX			•	•								
365	3109730	TRAVERSE PAN/TANK UB120 INO					•	•						
519	5407780	LENS - NEON			•	•	•	•						
560	3606580	WIRING P.C.B. (STORAGE TANK)	•	•										
564	8630410	REGUL. THERMOSTAT 3C 11-60°C	•	•										
671	5646780	DRAINING TAP G 1/2 (COPPER)	•	•	•	•	•	•						
999	8611880	BOILER/UB CONNECTION CABLE			•	•	•	•						
999	8611970	CABLE ASSEMBLY SENSOR/PUMP DHW			•	•	•	•						



Tab 258



BAXI

BAXI S.p.A.
Via Trozzetti, 20
36061 BASSANO DEL GRAPPA (VI)
ITALY
Tel. +390424517111
Telefax +390424517379
E-mail. service@baxi.it