

TECHNICAL CATALOGUE

# BALL VALVES

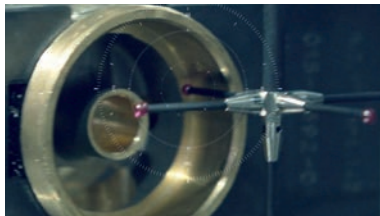
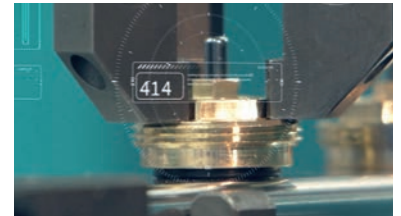


## > THE COMPANY

ITAP SpA, founded in Lumezzane (Brescia) in 1972, is currently one of the leading production companies in Italy of **valves, fittings and distribution manifolds** for plumbing and heating systems.

Thanks to fully automated production processes, with 85 transfer machines and 55 assembly lines, we are able to produce 400,000 pieces per day.

Our innate pursuit for innovation and observance of technical regulations is supported by the company certification ISO 9001. The company has always considered its focus on quality as the main tool to obtain significant business results: today ITAP SpA is proud to offer products bearing the approval of numerous international certifying bodies.



> ITAP products have obtained approvals by more than 30 certification bodies from all over the world.





# BALL VALVES

## 115 Standard flow ball valve with revolving drain cock

Suitable for domestic water services, heating, air-conditioning plants and compressed air systems.



SIZE	PRESSURE	CODE	PACKING
1/2" (DN 15)	25bar/362.5psi	1150012	14/84
3/4" (DN 20)	25bar/362.5psi	1150034	8/64
1" (DN 25)	25bar/362.5psi	1150100	4/36
1"1/4 (DN 32)	20bar/290psi	1150114	4/32
1"1/2 (DN 40)	20bar/290psi	1150112	2/18
2" (DN 50)	20bar/290psi	1150200	2/10

### CERTIFICATIONS



### TECHNICAL SPECIFICATIONS

Female/female threads.

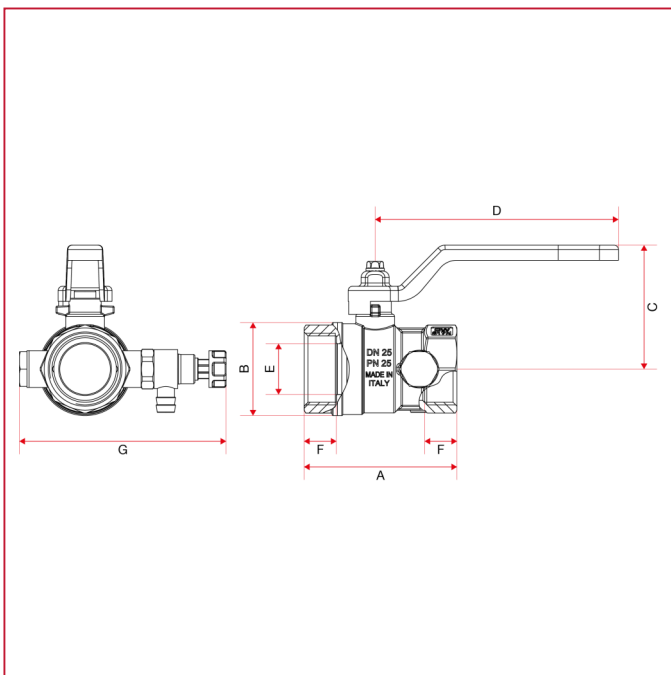
Lever handle in steel.

Body in nickel-plated brass.

Minimum and maximum working temperatures: -20°C, 110°C in absence of steam.

Threads: ISO 228 (equivalent to DIN EN ISO 228 and BS EN ISO 228).

### OVERALL DIMENSIONS

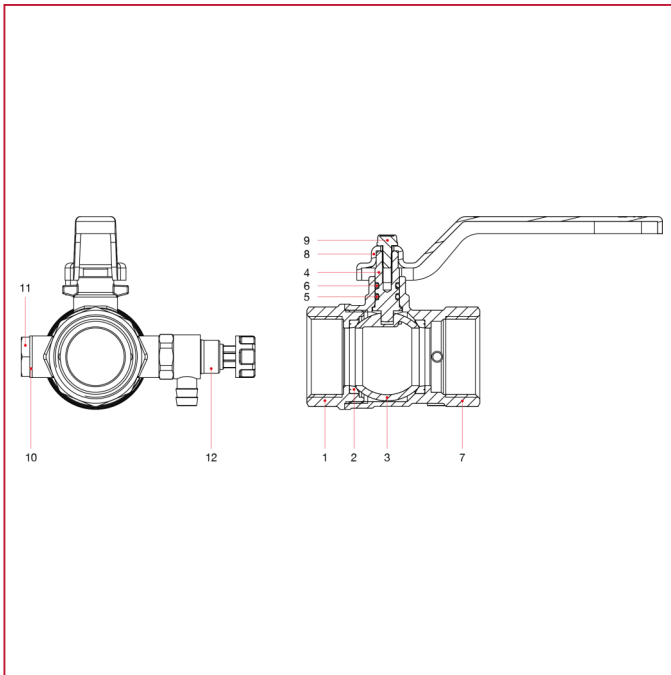




# BALL VALVES

	1/2"	3/4"	1"	1"1/4	1"1/2	2"
DN	15	20	25	32	40	50
A	53	58	71	81	93	108
B	29	36	43	53	63	79
C	40	54	57	73	78	94
D	80	113	113	138	138	158
E	14	18,5	23,5	30	37	47
F	12	12	15	16	18	19
G	84	89	96	104	111	124
Kg/cm2 bar	25	25	25	20	20	20
LBS - psi	362,5	362,5	362,5	290	290	290

## MATERIALS



POS.	DESCRIPTION	N.	MATERIAL
1	Female end adapter	1	Nickel-plated brass CW617N
2	Seat	2	P.T.F.E.
3	Ball	1	Chrome-plated brass CW617N
4	Stem	1	Brass CW614N
5	O-ring	1	NBR
6	O-ring	1	Viton®
7	Body	1	Nickel-plated brass CW617N
8	Lever handle	1	Varnished steel P04
9	Screw	1	Zinc-plated steel C4C
10	Washer	1	Aluminium
11	Plug	1	Nickel-plated brass CW614N
12	Adjustable drain valve	1	Nickel-plated brass CW614N





# BALL VALVES

## 099 Full flow ball valve, male/male thread

Suitable for domestic water services, heating and air-conditioning plants.



### 099

SIZE	PRESSURE	CODE	PACKING
1/2" (DN 15)	40bar/580psi	0990012	10/90
3/4" (DN 20)	40bar/580psi	0990034	10/80
1" (DN 25)	40bar/580psi	0990100	6/48
1"1/4 (DN 32)	30bar/435psi	0990114	4/32
1"1/2 (DN 40)	30bar/435psi	0990112	2/16
2" (DN 50)	30bar/435psi	0990200	2/10



### 099F

SIZE	PRESSURE	CODE	PACKING
1/2" (DN 15)	40bar/580psi	0990012F	15/135
3/4" (DN 20)	40bar/580psi	0990034F	10/90
1" (DN 25)	40bar/580psi	0990100F	5/45

### CERTIFICATIONS



### TECHNICAL SPECIFICATIONS

Male/male threads.

Lever handle in aluminium or T handle in aluminium.

Body in nickel-plated brass.

Minimum and maximum working temperatures: -10°C, 95°C in absence of steam.

Threads: ISO 228 (equivalent to DIN EN ISO 228 and BS EN ISO 228).

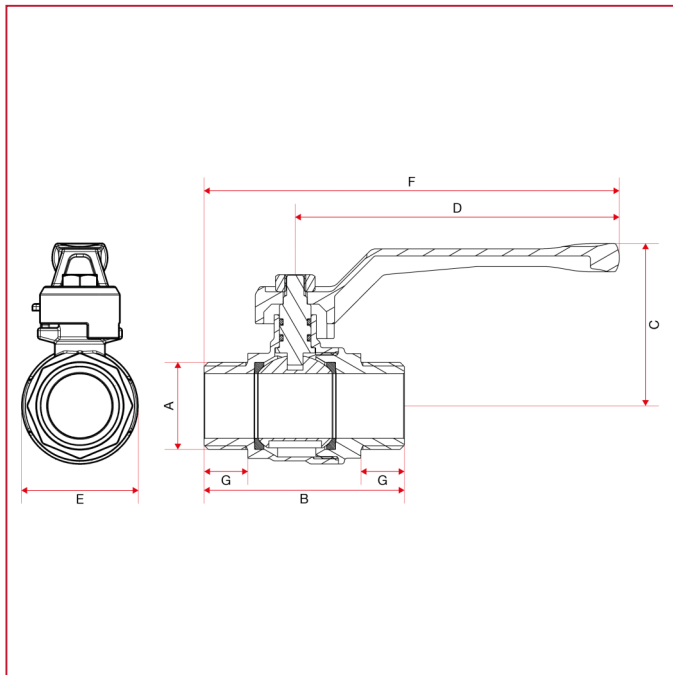
Available with T handle in aluminium in the sizes 1/2" through 1".

Mention "F" in the code to order the T handle.



# BALL VALVES

## OVERALL DIMENSIONS art.099

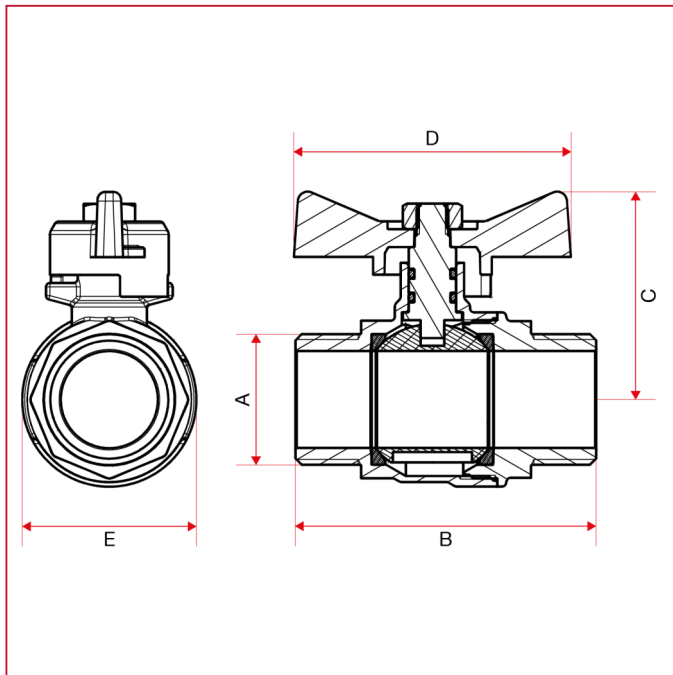


	1/2"	3/4"	1"	1"1/4	1"1/2	2"
DN	15	20	25	32	40	50
A	1/2"	3/4"	1"	1"1/4	1"1/2	2"
B	62	65	76	87	103	113
C	45	48	62	66	83	91
D	95	95	123	123	150	150
E	29,5	37	44	56	68	87
F	121	124	157	163	197	205
G	11,5	13	16,5	16	18	20
Kg/cm <sup>2</sup> bar	40	40	40	30	30	30
LBS - psi	580	580	580	435	435	435



# BALL VALVES

## OVERALL DIMENSIONS art.099F



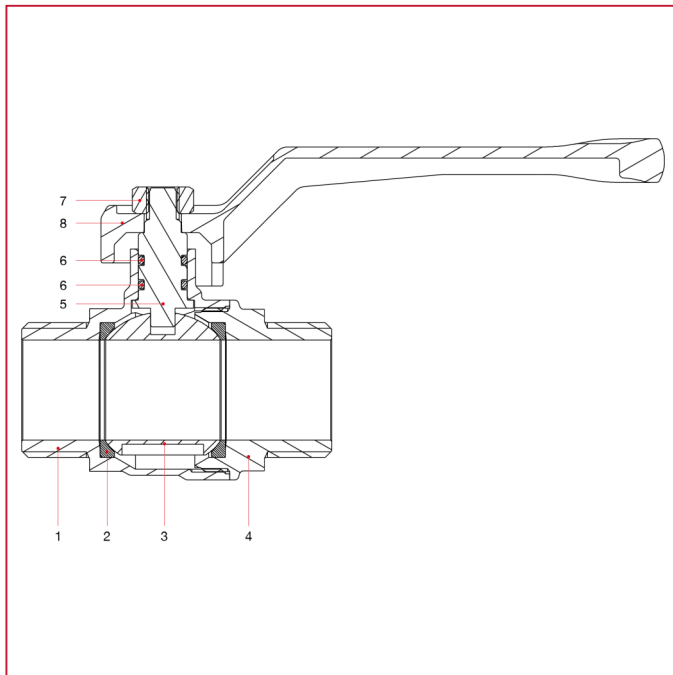
### 099F

	1/2"	3/4"	1"
DN	15	20	25
A	1/2"	3/4"	1"
B	62	65	76
C	40	43	52
D	54	54	70
E	29,5	37	44
Kg/cm <sup>2</sup> bar	40	40	40
LBS - psi	580	580	580



# BALL VALVES

## MATERIALS art.099

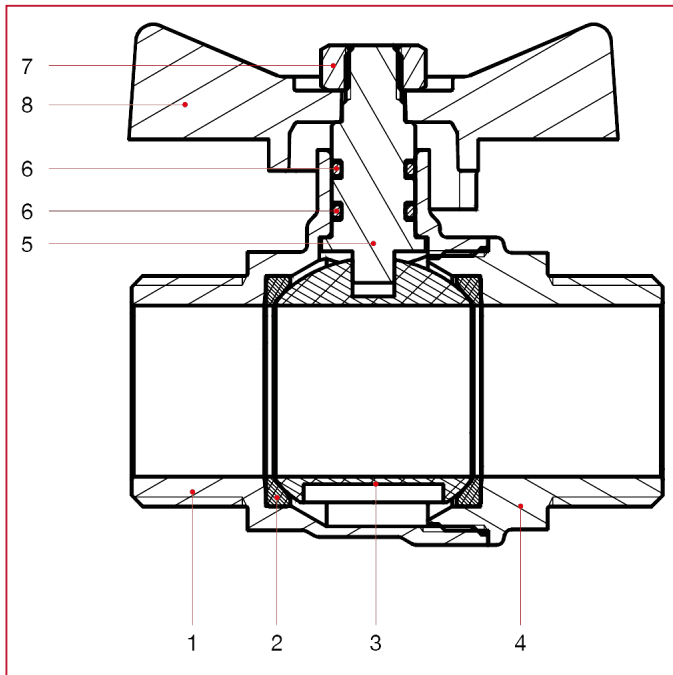


POS.	DESCRIPTION	N.	MATERIAL
1	Body	1	Nickel-plated brass CW617N
2	Seat	2	P.T.F.E.
3	Ball	1	Chrome-plated brass CW617N
4	Male end adapter	1	Nickel-plated brass CW617N
5	Stem	1	Brass CW617N
6	O-ring	2	NBR
7	Nut	1	Zinc-plated iron
8	Lever handle	1	Varnished aluminium



# BALL VALVES

## MATERIALS art.099F



POS.	DESCRIPTION	N.	MATERIAL
1	Body	1	Nickel-plated brass CW617N
2	Seat	2	P.T.F.E.
3	Ball	1	Chrome-plated brass CW617N
4	Male end adapter	1	Nickel-plated brass CW617N
5	Stem	1	Brass CW617N
6	O-ring	2	NBR
7	Nut	1	Zinc-plated iron
8	T handle	1	Varnished aluminium



# BALL VALVES

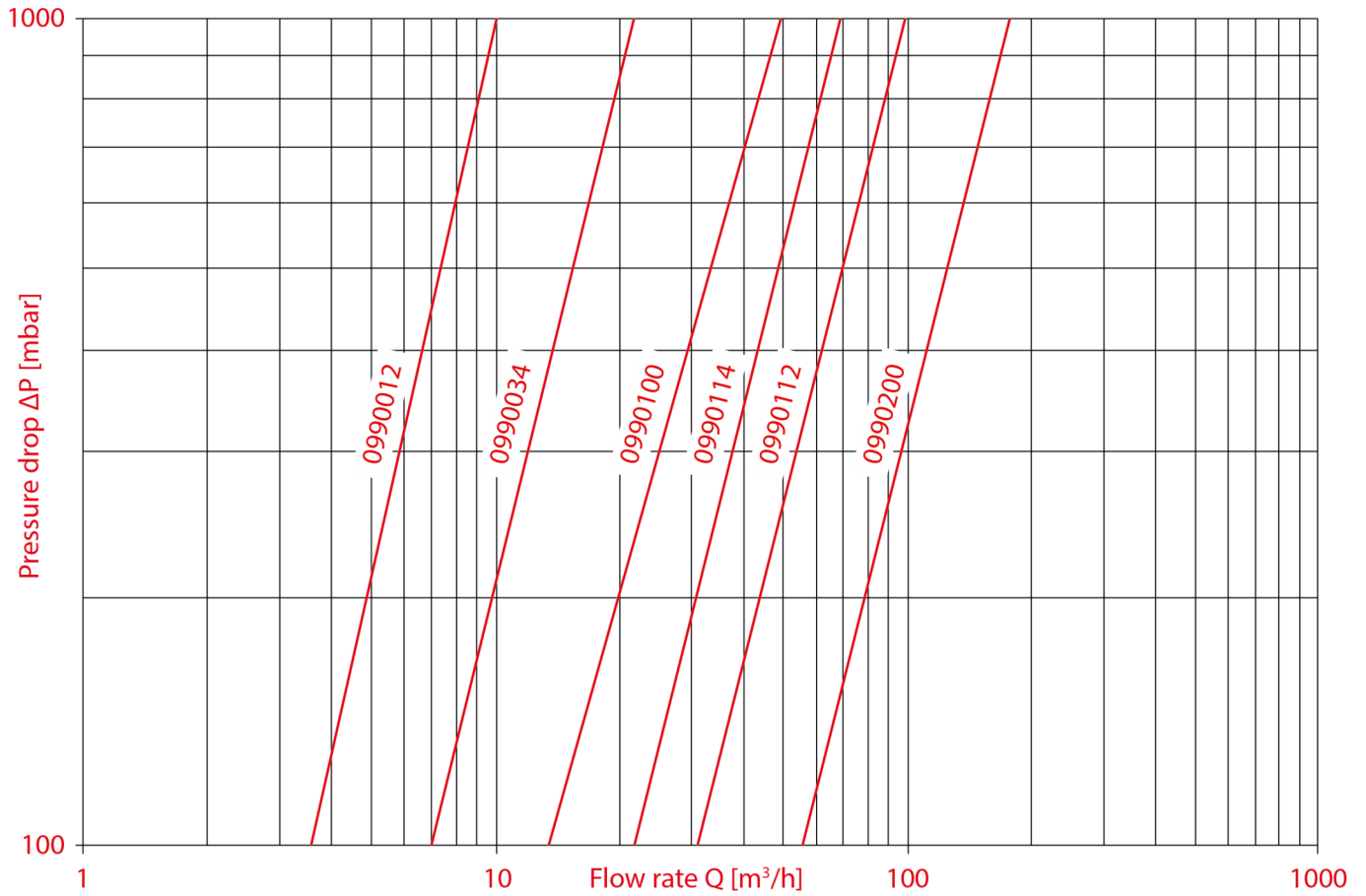
## LOSS DIAGRAM (With water)

### 099

	1/2"	3/4"	1"	1"1/4"	1"1/2"	2"
KV	10,05	24,56	51,21	68,65	98,83	177,04

### 099F

	1/2"	3/4"	1"
KV	10,05	24,56	51,21







# BALL VALVES

## 128 3-way ball valve

Suitable for domestic water services, heating, air-conditioning plants and compressed air systems.



SIZE	PRESSURE	CODE	PACKING
1/4" (DN 8)	55bar/797.5psi	1280014L/T	4/24
3/8" (DN 10)	55bar/797.5psi	1280038L/T	4/24
1/2" (DN 15)	50bar/725psi	1280012L/T	4/24
3/4" (DN 20)	50bar/725psi	1280034L/T	2/12
1" (DN 25)	45bar/652.5psi	1280100L/T	2/12
1"1/4 (DN 32)	35bar/507.5psi	1280114L/T	2/12
1"1/2 (DN 40)	35bar/507.5psi	1280112L/T	2/4
2" (DN 50)	35bar/507.5psi	1280200L/T	2/2

### CERTIFICATIONS



### TECHNICAL SPECIFICATIONS

Female/female/female threads.

Lever handle in aluminium.

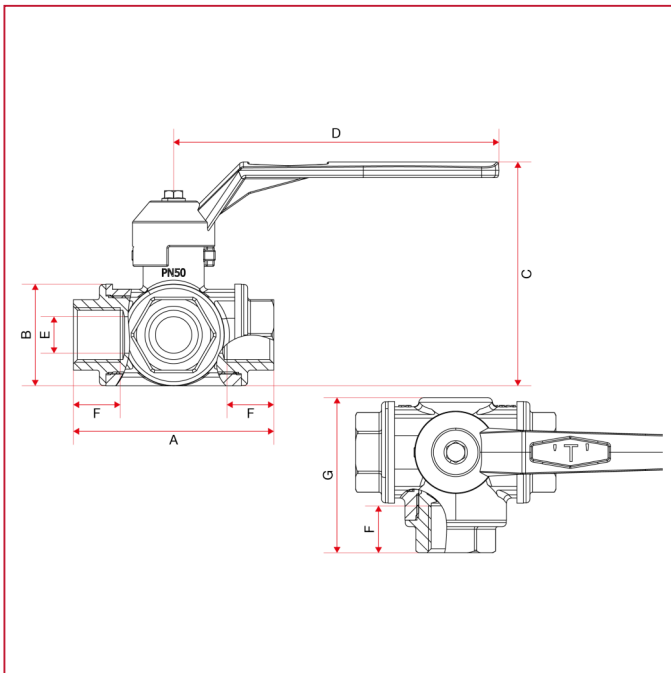
Body in nickel-plated brass.

Minimum and maximum working temperatures: -10°C, 120°C in absence of steam.

Threads: ISO 228 (equivalent to DIN EN ISO 228 and BS EN ISO 228).

Available with T or L ball. (Please, specify in the order).

### OVERALL DIMENSIONS

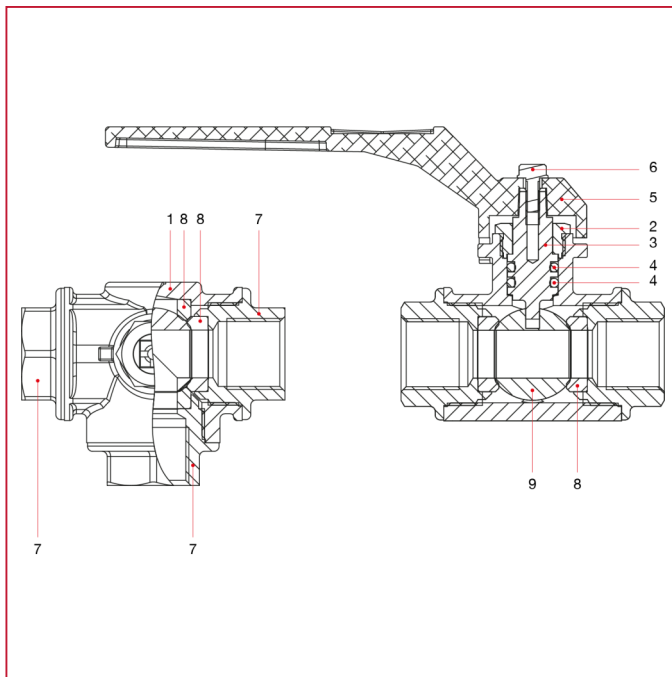




# BALL VALVES

	1/4"	3/8"	1/2"	3/4"	1"	1"1/4	1"1/2	2"
DN	8	10	15	20	25	32	40	50
A	77	77	77	92	104	118,5	138	162
B	39	39	39	47	54,5	64,5	79	93,5
C	86	86	86	107	122,5	132	145,5	186
D	125	125	125	145	170	170	170	260
E	10	12	14	18	23	29	36	45
F	18	18	18	22	23	26	30	35
G	59,5	59,5	59,5	70	81	93	107,5	128
Kg/cm <sup>2</sup> bar	55	55	50	50	45	35	35	35
LBS - psi	797,5	797,5	725	725	652,5	507,5	507,5	507,5

## MATERIALS



POS.	DESCRIPTION	N.	MATERIAL
1	Body	1	Nickel-plated brass CW617N
2	Packing gland	1	Brass CW614N
3	Stem	1	Brass CW614N
4	O-ring	2	Viton®
5	Lever handel	1	Varnished aluminium
6	Screw	1	Zinc-plated steel
7	Female end adapter	3	Nickel-plated brass CW617N
8	Seat	4	P.T.F.E.
9	Ball	1	Chrome-plated brass CW617N

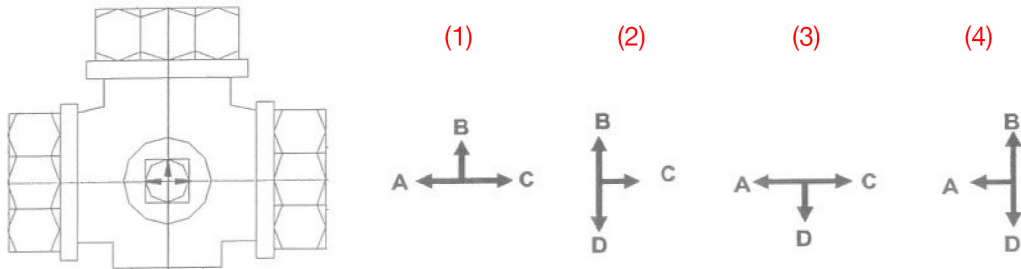


# BALL VALVES

## INSTALLATION

T valve operation: with the handle disassembled is visible, on the stem, a T mark, which indicates the running direction of the ball's holes, allowing the following combinations:

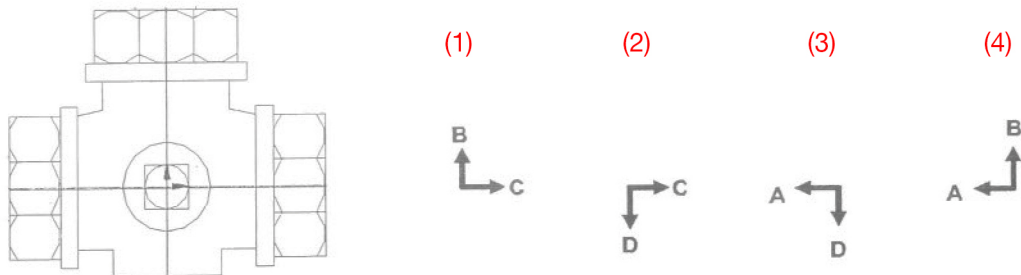
**Fig. A**



- 1 - The flow go in all directions (A-B-C)
- 2 - The flow go only from B to C (or vice versa)
- 3 - The flow go only from A to C (or vice versa)
- 4 - The flow go only from A to B (or vice versa)

L valve operation: with the handle disassembled is visible, on the stem, a L mark, which indicates the running direction of the ball's holes, allowing the following combinations:

**Fig. B**



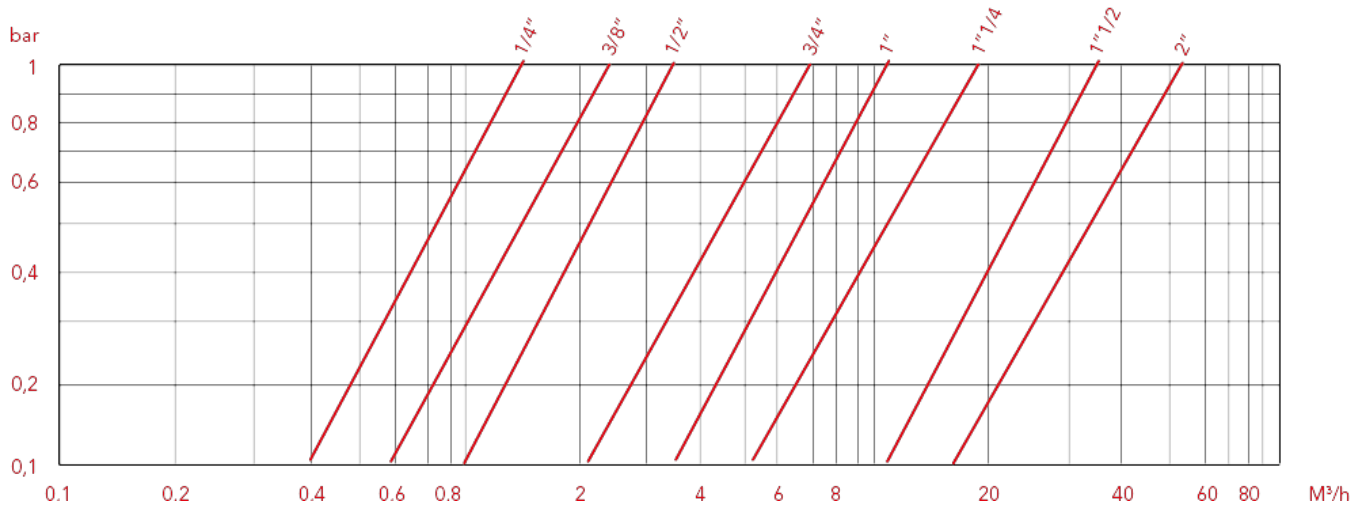
- 1 - The flow go from B to C (or vice versa)
- 2 - The flow is stopped
- 3 - The flow is stopped
- 4 - The flow go from A to B (or vice versa)



# BALL VALVES

## LOSS DIAGRAM (With water)

	1/4"	3/8"	1/2"	3/4"	1"	1"1/4"	1"1/2"	2"
KV	1,5	2,5	3,5	7	12	19,5	37	52

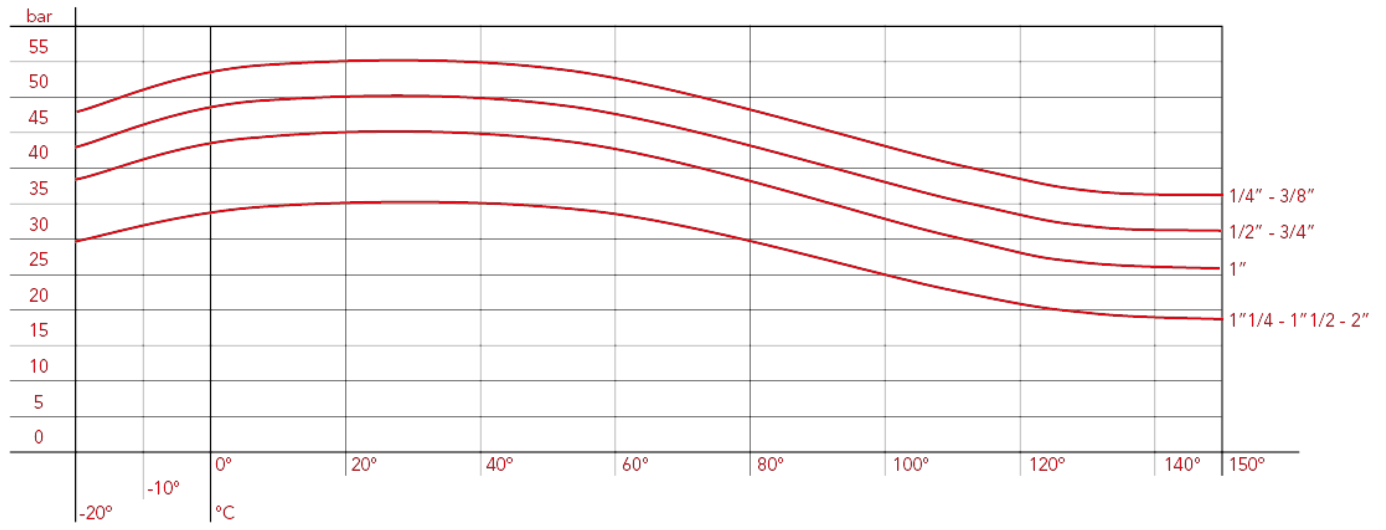




# BALL VALVES

## PRESSURE-TEMPERATURE DIAGRAM

The values shown by the dropping lines state the maximum limit of employment of the valves.  
The shown values are approximate.





**ITAP S.p.A.**  
Via Ruca 19  
25065 Lumezzane  
Brescia (ITALY)  
Tel 030 8927011  
Fax 030 8921990  
[www.itap.it](http://www.itap.it) - [info@itap.it](mailto:info@itap.it)

We reserve the right to make improvements and changes to the products described herein and to the relative technical data, at any time and without forewarning.

rev. 20240408